

TLP. | Adjustable hook clamps

Steel



MATERIAL

Zinc-plated steel.

SPECIAL EXECUTIONS ON REQUEST

Hook clamps in AISI 304 stainless steel.



1



2



3



4



5



6



7



8



9



10



11



12



13



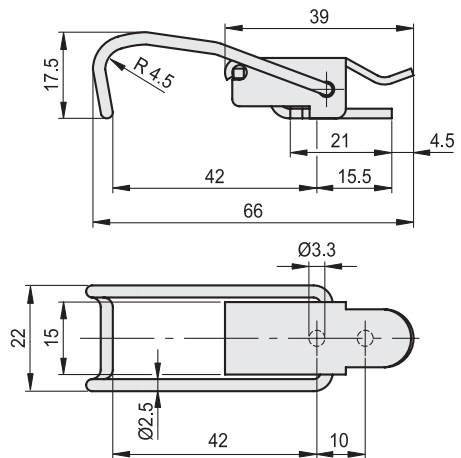
14



15



RH



METRIC

Code	Description	Max. working load [N]	Load at breakage [N]	
420181	TLP-Z-22/67	400	700	23

Latches

1227